

ESP-9212

High Performance 10/40G Top of Rack Ethernet Switch (Fiber Version)

NEW



Features

- Built-in Intel® Xeon® E3-1265L v2 processor with 2x DDR3 UDIMMs
- Broadcom StrataXGS® Trident II BCM56854 switch solution
- 680Gbps forwarding bandwidth
- Fiber version support 6x QSFP and 44x SFP+
- Redundant & Hot-swappable AC/DC PSU design
- 4x redundant hot-swappable fan modules
- Front-to-rear or rear-to-front cooling
- Support Solid State Drive or Hard Disk Drive
- Network boot nodes from the switch
- IPMI 2.0 compliant hardware management function
- Open IPMI compliant hardware management function



Introduction

The ESP-9212 is a new generation of switch from Advantech Networks and Communications Group and is optimized for use in software-defined networks (SDN) requiring 10 and 40 Gigabit Ethernet connectivity. It combines a high performance, low-latency Broadcom StrataXGS® Trident II BCM56854 switch for up to 680Gbps of forwarding bandwidth and a quad-core Intel® Xeon® E3-1265L v2 processor, providing a powerful and flexible platform that supports enhanced features essential for top-of-the-rack deployment in modern data center switching installations. Data center networks require increasingly denser 10GbE and 40GbE connectivity at the access and aggregation layers in order to address the higher speed network interface cards being deployed in servers and the increased link utilization due to widespread use of virtualization.

With fiber support for six 40GbE QSFP ports and forty-four 10GbE SFP+ ports in a 1U rackmount design, the ESP-9212 can be used to build highly scalable, feature-rich, top-of-rack switches, and aggregation equipment to connect big data, cloud and optimized workloads in the data center.

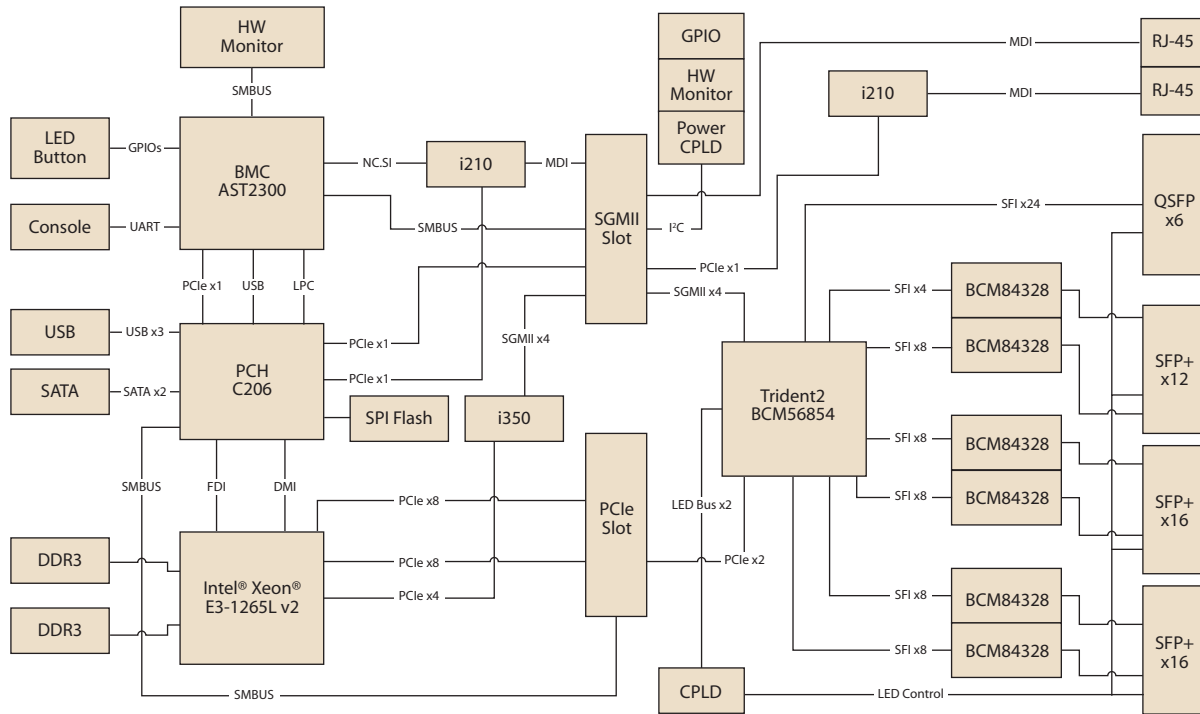
Redundant, hot swappable, AC or DC power supplies and fans, along with IPMI 2.0 and OpenIPMI hardware management interfaces provide the high availability and management features which equip the switch for managing business-critical traffic. In addition, the front-to-rear or rear-to-front cooling capabilities of the ESP-9212 help to reduce air conditioning costs by matching the airflow of other servers in the rack. One 10/100/1000 Ethernet RJ45 port and two serial ports are available for out-of-band management with three USB ports available for installation and maintenance needs. Two 128GB SSD devices within the chassis provide storage for boot images allowing external network nodes to be loaded and booted from the switch. Platform builds using a wide range of LGA-1155 processors are possible; please contact your local Advantech sales office for details.

Specifications

Processor, Memory and Switch	Processor	Intel® Xeon® E3-1265L v2 processor
	Flash Memory	2x 64Mbit SPI Flash
	Max DDR3 DIMM#	2x (8GB UDIMM)
	Ethernet Switch	Broadcom StrataXGS® Trident-II BCM56854
	Forwarding Bandwidth	680Gbps
Ethernet I/O (on rear side)	Fiber Version	44x 10GbE ZSFP+ 6x 40GbE QSFP
	Ethernet	1x GbE RJ-45
Management I/O	Serial	1x RJ-45 Type console port for x86 1x RJ-45 Type console port for BMC
	USB	3x USB
	Local Storage	SATA
System FRU	Power supply	2x Redundant AC/DC PSU
	Power input	AC 100 -240 V @ 47-63 Hz, full range
	Type/Watt	500 W 2U (1+1 redundant, 500 W each)
	System power consumption	371 Watt Average
	System Fans	4x Hot-swappable redundant FAN trays
Physical	Dimension (W x D x H)	17 x 22 x 1.7 Inch (43.18 x 55.88 x 4.32 cm)
	Weight	18 Kg
Environment	Operating	0 to 40° C @ 1800m and 85%RH
	Storage	- 20 to 70° C @ 3000m and 95%RH

Hardware Block Diagram

ESP-9212 Fiber Version



Ordering Information

Part number	Description
ESP9212F2A0PN0E-ES	ESP-9212 fiber version with 44 ports 10GbE ZSFP+, 6 ports 40GbE QSFP, Intel® Xeon® E3-1265L v2) and 8 GB DDR3-1333 MHz memory & 256 GB SSD

Please contact your Advantech regional sales office or email ncg@advantech.com for additional ordering information and pricing