

AMiS-50

Advantech Computerized Medical Cart



CE FCC

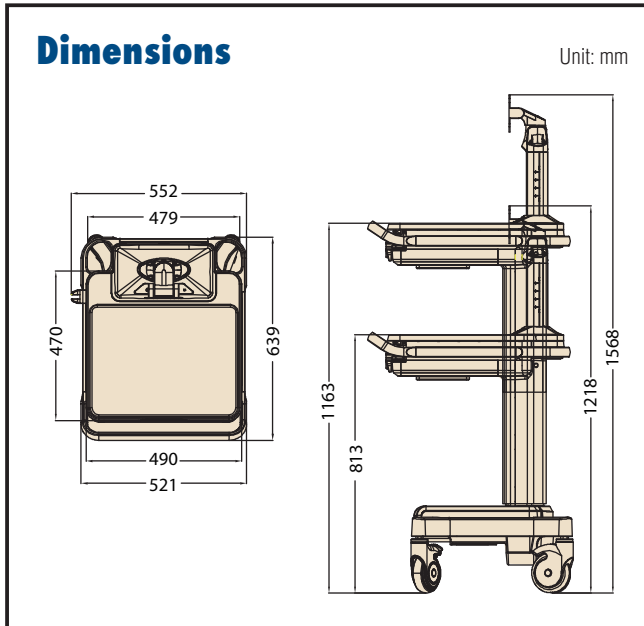
Features

- Highly-integrated computerized medical cart for mobile health care solutions
- Available for Motor adjustment of table height
- Designed for safety and reliability
- Big wheels to overcome various types of floor
- Powerful battery system for longer computer run time

Specifications

Category	Attribute	AMIS 50			
Embedded Computing System	CPU	Intel Atom D510 1.66 GHz	Intel Atom D525 1.8 GHz	Intel Core i7 Sandy Bridge 1.5 GHz	
	Memory	2 GB DDR2 SODIMM max.	2 GB DDR3 SODIMM max.4G	2 GB DDR3 SODIMM max.16G	
	Storage	2.5" SATA HDD	160 GB	160 GB	160 GB
		2.5" SSD	16/32/64 GB (Optional)	16/32/64 GB (Optional)	16/32/64 GB (Optional)
	WLAN	802.11a/b/g/n	802.11a/b/g/n	802.11a/b/g/n	802.11a/b/g/n
	Box PC I/O Ports	VGA x 1 (2048 x 1536 @ 60Hz) Ethernet x 2 USD x 4 (USB 2.0) Audio x 3 (MIC-in, Line-out, Line-in) RS232 x 3 (2 of RS-232, 1 of RS-232/422/485) DC Jack x 1	VGA x 1 (2048 x 1536 @ 60Hz) DVI x 1 (1600 x 1200 @ 60Hz) Ethernet x 2 (10/100/1000Mbps) USD x 4 (USB 2.0) Audio x 3 (MIC-in, Line-out, Line-in) RS232 x 2 (1 of RS-232, 1 of RS-232/422/485) DC Jack x 1	DVI x 1 (1366 x 768, WXGA) Ethernet x 2 (Isolated, 10/100/1000Mbps) USD x 3 (USB 2.0) Audio x 1 (line-out) RS232 x 2 DC Jack x 1 (4 pin)	
Operating System (Optional)	Supports Microsoft XP Professional, XP Embedded, Vista, Windows 7			Support Microsoft XP Professional, Windows 7	
Base Cart	Footprint	19.7" x 18.5" (500 mm x 470 mm)			
	Casters	125 mm x 125 mm (Medical casters, two locking, two non-locking)			
	Height Adjustment Range	32.0" ~ 45.8" (813 ~ 1163 mm)			
	Display Holder	Standard VESA Mount (VESA 75/75; VESA 100/100)			
	I/O Ports	USB 2.0 ports x 4, Gigabit Ethernet Interface (RJ-45) x 1			
	Dashboard	Battery Power Button Computer Power Button LED for Battery Capacity Indication			
	Work Surface	18.5" x 19.3" (469.9 x 489.9 mm) Weight Capacity: (based on std. 400N) Gas Spring: Up to 17.6 lb/8 kg Motor: Up to 88 lb/40 kg			
Keyboard & Mouse Area	Keyboard Size Up to 380 x 140 x 25 mm Keyboard LED Light Mouse Tray				
Accessory Extend Used	Neck: Dove Tail Work Surface: DIN Rail (Right, Left and Rear)				
Power Module	Capacity	420Wh	210W_*Ready on Q4		
	Power Input	100 ~ 240 V _{AC} , 50 ~ 60 H, Max 4.5A	100 ~ 240 V _{AC} , 50 ~ 60 H, Max 4.5A		
	Battery Type	Lithium-Iron Phosphate	Lithium-Iron Phosphate		
	Battery Charge Time	< 3hr. DOD 100%	< 1.5hr. DOD 100%		
	Battery Runtime (Depends on system configuration)	8 ~ 10 Hours	4 ~ 5 Hours		
Certifications	EN60601-1, UL60601-1, CE, FCC Class B, Medical CB		CE, FCC Class B, ITE CB		
Battery Management Software	AMiS_Link	Battery Capacity Indicator Alerts (battery capacity, temperature, warning) Battery Lifecycle Statistics Report & Log File Client Installation Server Installation (Optional) Multi-language support, including Chinese Traditional, Chinese Simplified, English, German and Dutch			

Dimensions



Display Holder I/O



USB 2.0 x 4



Gigabit LAN x1

Control Panel



Battery power

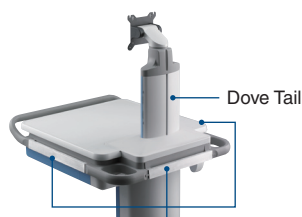
Height adjustment
Computer power

DIN Rail & Dove Tail

For accessory and device integration



DIN Rail



Side Din Rail

Ordering Information

Part Number	Motor	Gas Spring	Embedded Computer	Battery	Power Cord (Spiral)
AMIS-50-BM1-F2AE	Yes	-	Atom D510	420W	EU
AMIS-50-BM1-F2BE	Yes	-	Atom D510	420W	US
AMIS-50-B40-F2BE	-	400N	Atom D510	420W	US
AMIS-50-CM1-F2NE	Yes	-	Atom D525	420W	-
AMIS-50-EM1-F2NE	Yes	-	Intel Core i7	420W	-
AMIS-50-CM1-G2CE	Yes	-	Atom D525	210W	China
AMIS-50-EM1-G2CE	Yes	-	Intel Core i7	210W	China

Power Cord

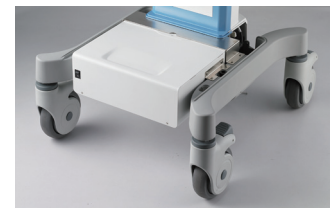
Part Number	Power Cord Type(Spiral)
1700019823	US
1700019822	China
1700019825	UK
1700020538-01	Australia

Standalone Computer

Part Number	CPU	Memory	Storage
AMIS-50-PCA-D0-AE	Intel Atom D525 1.8 GHz	2 GB	2.5" 250 GB HDD
AMIS-60-PC7-D0-AE	Intel Core i7 Sandy Bridge 1.5 GHz	2 GB	2.5" 250 GB HDD

Battery

IPS-M420 LiFePO4 Battery



Battery Order Information

Battery System

Part Number	Cell Type	Battery Capacity	Lifecycle	Charge time	Weight
IPS-M420A-LFA-AE	LFP	420Wh	DOD 80%, 2000 cycles	< 3 hr. DOD 100%	8.5 kg
IPS-M210A-LFA-AE	LFP	210Wh	DOD 80%, 1000 cycles	< 1.5hr DOD 100%	5 kg

Battery Cell

Part Number	Cell Type	Battery Capacity	Remark
1760001464	LFP	420Wh	IPS-M420 pack
1760001586-01	LFP	210Wh	IPS-M210 pack

AMIS_Link

